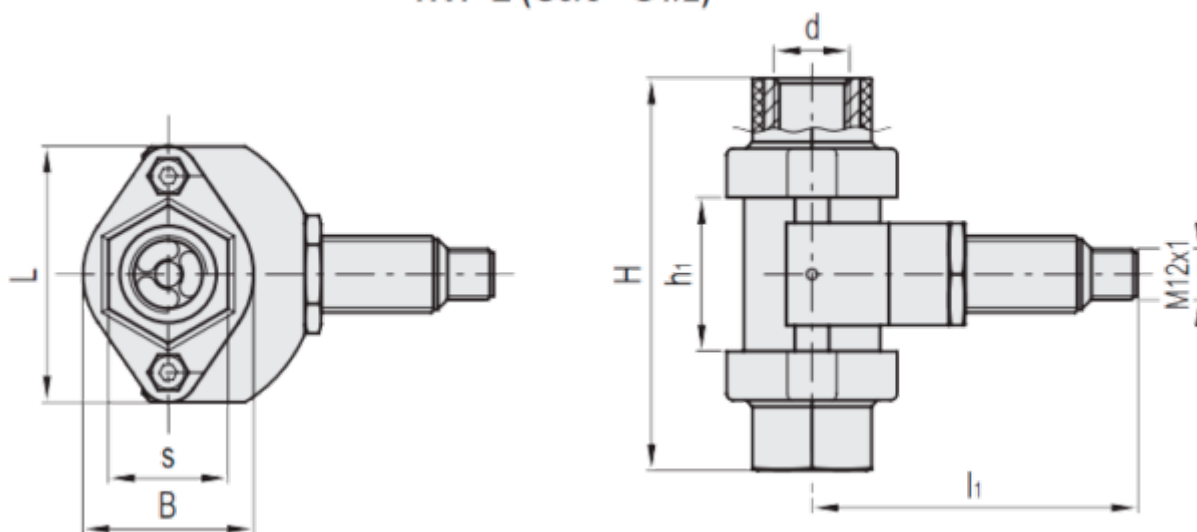


Article number: 2311111313

Description: E+G Visual flow indicators HVF.92-E-3/8

Measures

HVF-E (G3/8 - G1/2)



B	=	40
d	=	3/8
g	=	252
H	=	92
h1	=	36
L	=	60
s	=	28